

Wall, ceiling panelling and door elements

Description

The **gamma** panel is a perforated panel, which is available in different perforations or patterns.

The elements can be installed with a special metal hat profile screwed in the length and the width to the subconstruction. Depending on the fire regulations the materials used are rated to either class 2, class 1 or class 0. gamma panels are produced specifically for each project and can be supplied in any wood veneer or RAL/NCS colours.

Sizes

Maximum: 3000 x 600 mm
 Larger sizes available upon request, subject to limitations
 Thickness: 16 mm + - 0.5 mm

Finishes

Available in most wood species
 Painted in RAL or NCS colours
 Low pressure laminates

Fire ratings

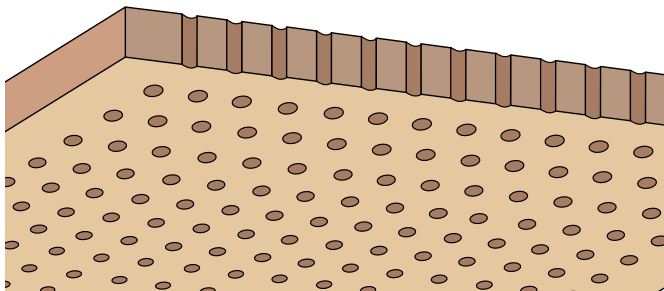
Class 2, Class 1 and Class 0 materials

Weight approx. 10.6 kg/m²

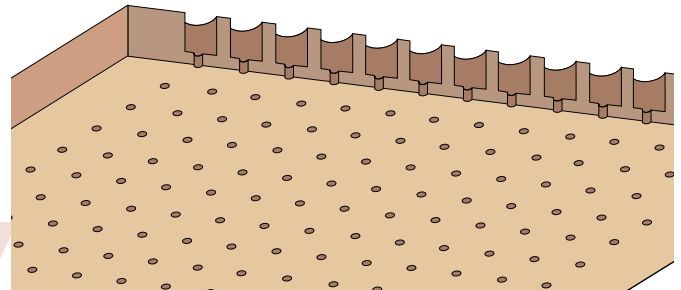
Perforation 1.5 mm - 16 mm

Pattern parallel or staggered
 8/8, 8/16, 16/16, 16/32, 32/32

Perforated panel with continuous perforation



Perforated panel with blind holes



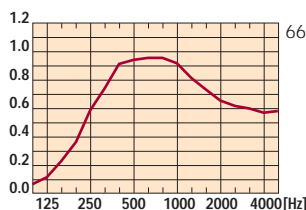
Site conditions

gamma panels are used as sound absorbing wall and ceiling panels. They are only intended to be installed in climate controlled areas; i.e. with a relative air humidity of 35% - 55% and a room temperature of 17° to 27° Celsius. Panels must be acclimatized to final site conditions, for a minimum of 72 hours prior to installation.

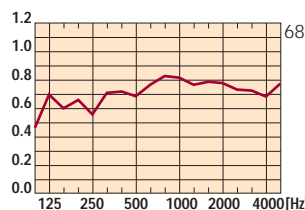
From our large selection of perforated patterns, independently tested, we can offer the solution for virtually any acoustic situation.

We reserve the right to revise the panel design or construction methods at any time without prior notice of any kind.

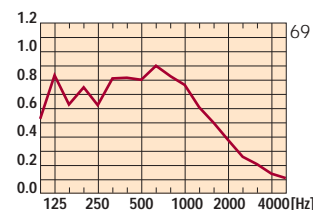
Sound absorption (other tests under www.lignokustik.ch or on request)



1 gamma 16/16 8 mm parallel
 30 mm Insulation, h 46 mm



2 gamma 16/16 8 mm parallel
 30 mm Insulation, h 350 mm



3 gamma 16/16 12-3 mm parallel
 30 mm Insulation, h 350 mm

frequency (Hz)	100	125	160	200	250	315	400	500	630	800	1000	1250	1600	2000	2500	3150	4000	5000
1 h 46 mm	0.07	0.12	0.23	0.37	0.59	0.75	0.91	0.95	0.97	0.97	0.92	0.82	0.74	0.66	0.62	0.60	0.57	0.58
2 h 350 mm	0.47	0.70	0.60	0.67	0.56	0.71	0.72	0.69	0.77	0.83	0.82	0.77	0.79	0.78	0.74	0.73	0.69	0.77
3 h 350 mm	0.53	0.83	0.64	0.75	0.63	0.81	0.82	0.80	0.90	0.84	0.77	0.61	0.50	0.38	0.26	0.21	0.15	0.11

h = suspension height

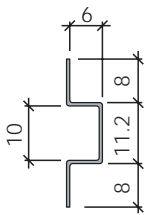
Installation details

Cut-outs on site for lights, loudspeakers, fire protection, etc. can be undertaken but a moderate level of skills and professional tools and equipment are required. We recommend to use a hard metal millcutter with a diameter of 6 to 8 mm.

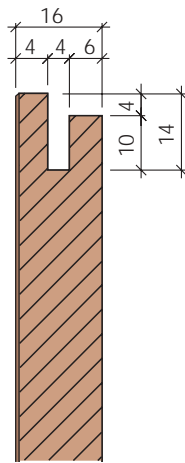
gamma hat profiles

For the installation of the gamma panels we supply hat profiles made of stainless steel. The length of the profile is 2000 or 3000 mm. These profiles can be used with either wood battens or metal framework. The profile should be screwed to the sub-construction each 200 mm. Make sure the hat profile is used along the entire length and width of each panel. The installation is very quick and easy. We do not accept any responsibility if other methods of installation are used.

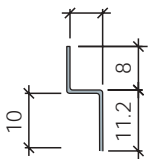
Hat profile H6-10



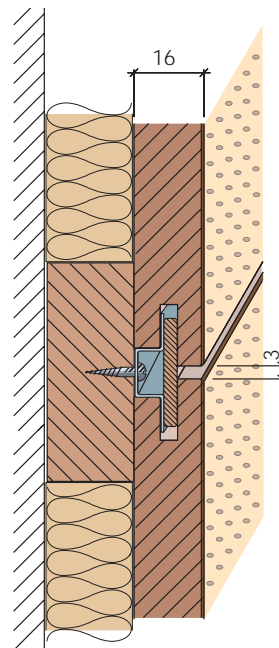
Cross-section



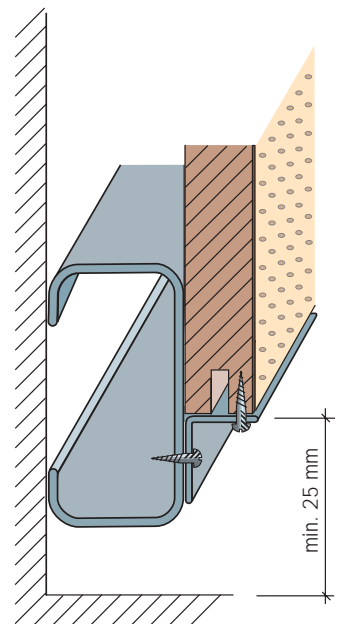
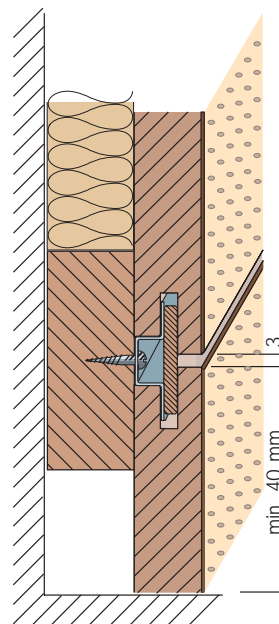
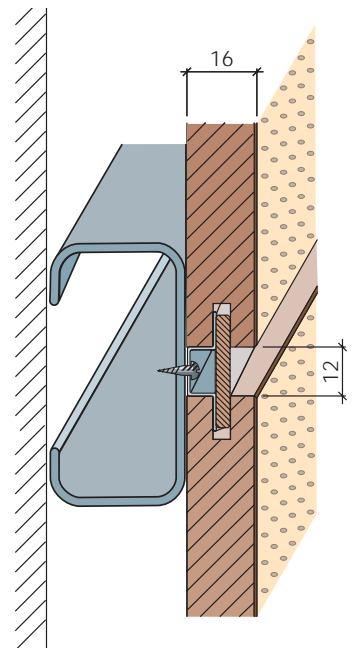
Closure profile Z6



Wall detail wood sub-construction



Wall detail metal sub-construction



Ceiling detail

