

Uniclass L68111:L35	EPIC F811:C21
CI/SfB (28.9)	R (K3)



# Promat TD Board®

*Structural Steel Fire Protection*



## Promat TD Board®

### Structural Steel Fire Protection

#### DESCRIPTION

Promat TD Board® is an inert rock wool board used for the fire protection of structural steel.

Promat TD Board® is available unfaced or faced with a reinforced scrim or aluminium foil. It is manufactured in accordance with an independently accredited BS EN ISO 9001 quality management system.

Promat TD Board® is resistant to the effects of moisture and is suitable for internal and semi-exposed applications.

Promat TD Board® is generally installed using Promat TD Board® fixings. These are spiral screws made from 16 s.w.g. galvanised wire.

Promat TD Board® is manufactured through the synthesis of volcanic rock and limestone. The molten rock is spun into wool and immediately impregnated with special resins to enable handling and shaping. The material is then compressed, cured and formed into boards.

#### Advantages

- No maintenance
- Moisture-repellent
- Choice of three finishes
- Easy to repair

#### Dry fix solutions

- Innovative clip fix system
- Quick and simple to apply
- Up to 120 minutes fire protection
- Dry process, no masked off areas required

#### Glue fix solutions

- Traditional nogging and stud welded pin systems
- Up to 240 minutes fire protection
- High resilience

**Table a - Fire resistance of Promat TD Board® systems**

System	Fire resistance (minutes)					
	30	60	90	120	180	240
Clip fixed, dry application, dry board joints	●	●	●	●*		
Glued noggings, dry application, dry board joints	●	●	●	●		
Welded noggings, dry application, dry board joints	●	●	●	●		
Glued noggings, glued application, glued board joints	●	●	●	●	●	●
Welded pins, dry application, glued board joints	●	●	●	●	●	●

\* for A/V up to 200m<sup>-1</sup>



# Promat TD Board®

## Structural Steel Fire Protection

### PERFORMANCE AND PROPERTIES

#### Fire performance

Up to 240 minutes fire resistance for structural steelwork, assessed to BS 476: Part 21: 1987 at 550°C and 620°C failure criteria. The unfaced, foil and tissue faced products achieve reaction to fire Euroclass A1 in accordance with BS EN 13501-1.

#### Moisture

Promat TD Board® fibres are randomly oriented, avoiding any tendency to promote capillary action or hygroscopic moisture absorption.

**Moisture content** 0% in air-dried state

**Moisture absorption** 0.004% by volume at 20°C and 90% relative humidity

**Water absorption** Maximum 60 grammes/m<sup>2</sup> after 24 hour total water immersion testing (i.e. approximately 1.5% by weight for 25mm plain board)



Table b - General Technical Data		
Material class	Non-combustible	
Surface spread of flame	Class 1	
Building Regulations classification	Class 0	
Alkalinity (approximately) pH	7 – 9	
Thickness tolerance of standard boards (mm)	± 2 mm	
Tolerance of standard boards (mm)	Length	± 5 mm
	Width	± 3 mm

Table c - Board Format Data								
Size (mm)	2000 x 1200							
Thickness (mm)	25	30	35	40	45	50	55	60
Approx. weight (kg/m <sup>3</sup> ) (dry)	4.5	5.4	6.3	7.2	8.1	9.0	9.9	10.8
Approx. weight (kg/m <sup>3</sup> ) 8% moisture	4.9	5.8	6.8	7.8	8.8	9.7	10.7	11.7
Nominal density (kg/m <sup>3</sup> )	180							

### FIXING OPTIONS

A comprehensive range of practical systems is available to meet a variety of site requirements. Dry joint systems can be joined together using purpose-made clips, glued rock wool noggings or stud welded pins to secure the insulation to structural steel sections. All board-to-board joints are straight butt joints, without the need for glue. Promat TD Board® fixings (minimum twice the insulation thickness, less 5mm) are used to secure the insulation boards to each other and/or to the noggings.

The glued joint system can be joined together using an inorganic and non-toxic VICUBOND® ADHESIVE WR to bind board-to-board joints and/or to the noggings. Standard flat head nails, twice the thickness of the insulation, are used as initial supports.

## Promat TD Board®

### Structural Steel Fire Protection

Certifire Approval No CF 529

#### Promat TD Board®

A lightweight, and easily worked fire protection board which offers up to 240 minutes fire protection depending on method of fixing, thickness of material used, dimensions of the steel beam and limiting temperatures of the steel section.

#### INSTALLATION METHOD

1. Friction fit the correct length clips onto the top and bottom flange tips at maximum 600mm centres for the top flange (A) and maximum 900mm centres for the bottom flange (D). The first clip is positioned at maximum 100mm in from the beam edge (B).

The clip should be fitted by putting it onto the steel flange until an audible 'click' is heard.

2. Cut the Promat TD Board® boards to suit the depth of the beam whilst allowing for the additional flange cover board thickness.
3. Using the deck soffit as a guide, impale the Promat TD Board® boards onto the clip legs, always starting at the top.
4. Fit Promat TD Board® non-return washers onto the Promat TD Board® clip legs and push washers tight to the insulation face. (NB - for thicknesses up to 30mm use small clips and for thicknesses up to 40mm use large clips.)
5. Apply spiral screws horizontally at 150mm maximum centres, starting maximum 75mm from the board's vertical edge (C). Minimum screw length must be 2 x cover board thickness less 5mm.
6. Tape joints with foil tape or scrim tape if required.

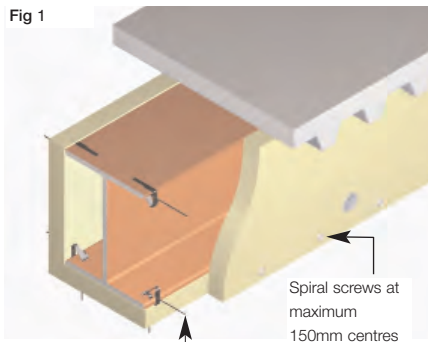
#### Promat TD BOARD® CLIP FIX DRY JOINT BOARD SYSTEM

The Promat TD Board® clip fixing system is designed for ultimate speed of application.

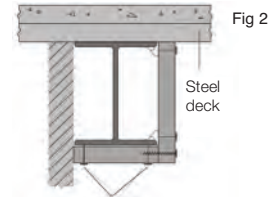
Its design features allow it to be used with standard steel deck types. The Promat TD Board® clip fixing solution can be used to provide 2, 3 and 4-sided beam protection for up to 120 minutes. (120 minute A/V limitation – 200m<sup>3</sup>)

#### Typical Details

Fig 1

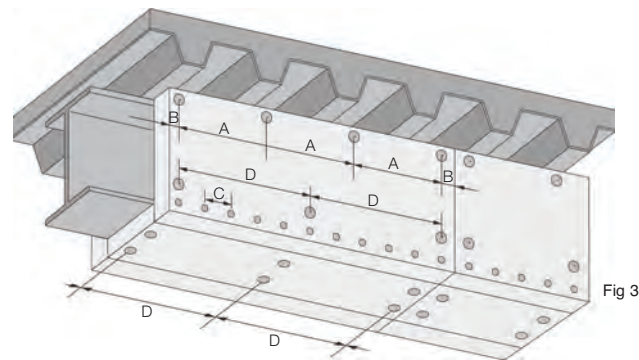


3-sided box



2-sided box

#### Fixing Pattern



3-sided box with Promat TD Board® clip fixing

#### Dimensions:

- A Top flange clips at maximum 600mm centres for 2000mm boards and 500mm centres if 1200mm board length is used.
- B Clips at maximum 100mm, minimum 20mm from edge of board.
- C Spiral screws at maximum 150mm centres and maximum 75mm from board edge.
- D Bottom flange clips at maximum 900mm centres.



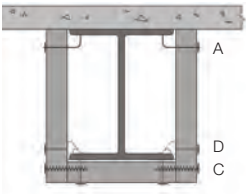
# Promat TD Board®

## Structural Steel Fire Protection

### Combined Clip and Stud Welded Pin Dry Joint Systems

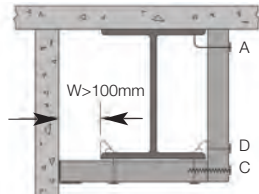
With concrete decks it may be necessary to fix stud welded pins to the top flange in place of clips.

Fig 4



3-sided box

Fig 5



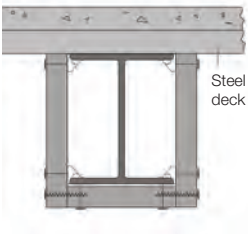
2-sided box

#### Dimensions:

- A Pins at maximum 600mm centres
- C Spiral screws at maximum 150mm centres
- D Clips at maximum 900mm centres

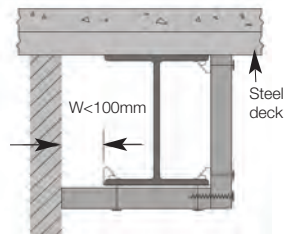
W limit is 100mm. Where  $W > 100\text{mm}$ , a shelf angle or similar should be fixed to the wall

Fig 6



3-sided box

Fig 7



2-sided box

Where  $W < 100\text{mm}$ , no shelf angle is required

Certifire Approval No CF 529

### MAINTAINING COMPARTMENTATION

If Promat TD Board® is also required to provide fire insulation across the beam or column in order to maintain compartmentation to the criteria of BS 476: Part 22: 1987 (maintaining insulation to average temperature rise of 140°C, maximum temperature rise 180°C), then the minimum thickness of the Promat TD Board® must be as follows:

Fire resistance (mins)	Board thickness (mm)
60	25
90	30
120	35
150	40
180	45
240	50



## Promat TD Board®

### Structural Steel Fire Protection

Certifire Approval No CF 529

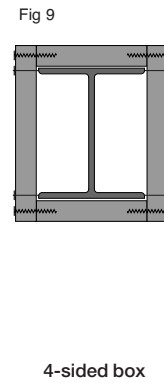
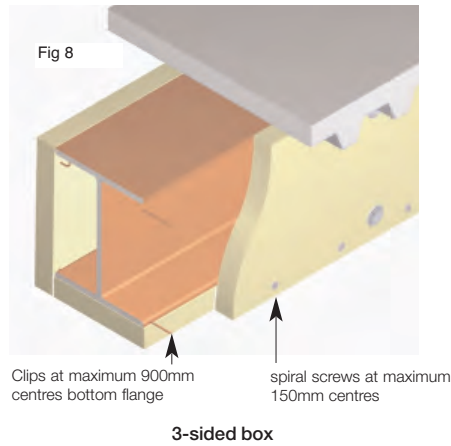
### Promat TD Board® STUD WELDED PIN DRY JOINT BOARD SYSTEM

A stud welded pin solution with dry joints. This dry fix pin solution can be used for 2, 3 and 4-sided beam protection for a period of up to 120 minutes.

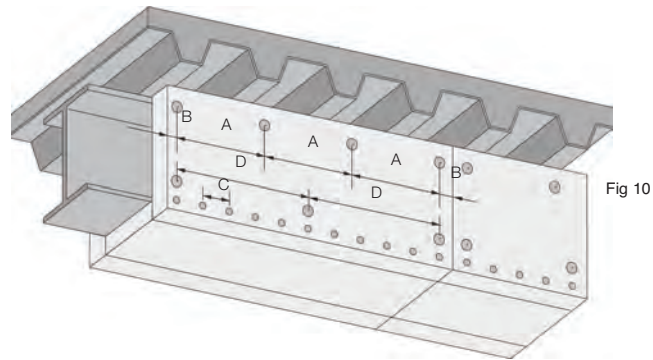
#### INSTALLATION METHOD

1. Clean the local area for pin welding and fix stud pin using arc or CD welds, ensuring a good contact has been achieved. Test weld by bending pin.
2. Impale the Promat TD Board® boards onto the stud welded pins using the deck soffit as a guide.
3. Push 38mm diameter sprung steel non-return washers onto the exposed pin until tight to the cover board face. Crop pins as necessary.
4. Fix spiral screws along all board-to-board edge joints at 150mm maximum centres (C). Tape joints using aluminium foil tape or scrim, if required.

#### Typical Details



#### Fixing Pattern



3-sided box with stud welded pins

#### Dimensions:

- A Stud welded pins at maximum 600mm centres for 2000mm board (500mm centres for 1200mm boards).
- B Stud welded pins at maximum 100mm centres, 20mm minimum from edge of board.
- C Spiral screws at maximum 150mm centres and maximum 75mm from edge of board.
- D Bottom flange stud welded pins at maximum 900mm centres.



# Promat TD Board®

## Structural Steel Fire Protection

Certifire Approval No CF 529

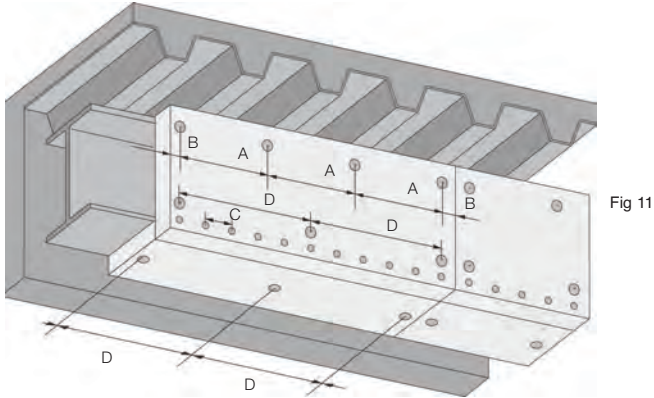


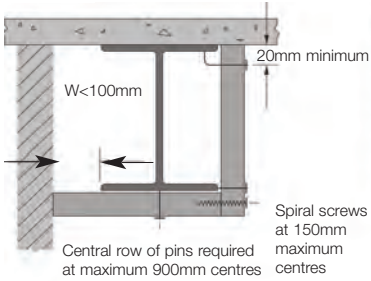
Fig 11

### 2-sided box with stud welded pins

#### Dimensions:

- A Stud welded pins at maximum 600mm centres for 2000mm board (500mm centres for 1200mm boards).
- B Stud welded pins at maximum 100mm centres, 20mm minimum from edge of board.
- C Spiral screws at maximum 150mm centres.
- D Stud welded pins at maximum 900mm centres for bottom flange.

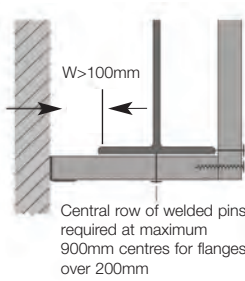
Fig 12



Central row of pins required at maximum 900mm centres

Spiral screws at 150mm maximum centres

Fig 13



Central row of welded pins required at maximum 900mm centres for flanges over 200mm

### 2-sided box

W limit is 100mm. Where  $W > 100\text{mm}$  a shelf angle or similar should be fixed to the wall.

## Promat TD Board®

### Structural Steel Fire Protection

Certifire Approval No CF 529

#### INSTALLATION METHOD

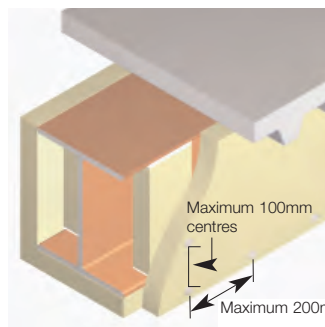
1. Cut 120mm wide noggings (C) to suit web depth, using same thickness material as the cover protection. For web depths of 500mm and above use either solid noggings or T-noggings made from cover board thickness. These are then adhered using Promat VICUBOND® WR adhesive into position at 1000mm centres (D).
2. Cut the Promat TD Board® boards to suit the depth of the beam whilst allowing for the additional flange cover board thickness.
3. Push board tight to deck soffit and fix spiral screws through the coverboards and into the noggings at maximum 100mm centres (B).
4. Fix all board-to-board joints using spiral screws at 200mm maximum centres (A). Minimum screw length must be 2 x cover board thickness less 5mm.

#### ADHESIVE-FIX NOGGING DRY JOINT BOARD SYSTEM

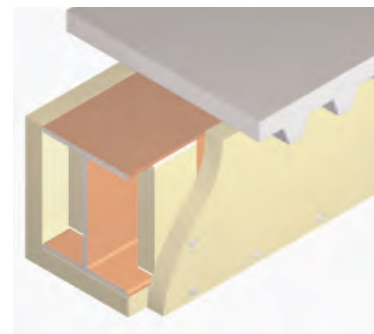
A nogging solution which removes the necessity for adhesive-fix for board-to-board and board-to-nogging joints.

The board-to-board edge joints are fixed with spiral screws at 200mm centres. The adhered noggings are at 1000mm fixing centres. This fixing solution can be used for 2, 3 and 4-sided beam protection for up to 120 minutes.

#### Typical Details

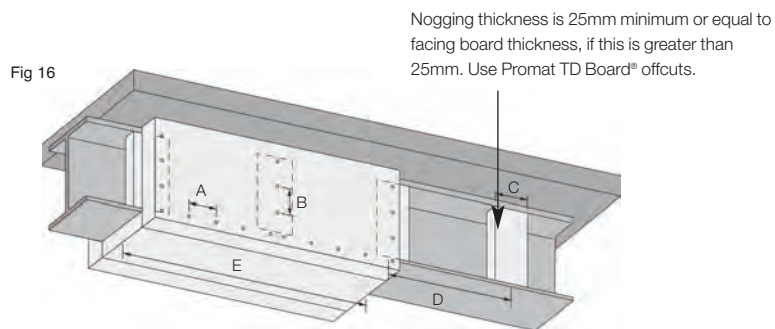


3-sided box



**Tee-nogging arrangement**  
for web depths of over 500mm.  
See over for T-nogging specification.

#### Fixing Pattern



3-sided box using adhesive noggings

#### Dimensions:

- A Spiral screws at maximum 200mm centres and maximum 50mm from edge of board.
- B Spiral screws at maximum 100mm centres into noggings.
- C Noggings of minimum 120mm width.
- D Noggings at maximum 1000mm centres.
- E Board length 2000mm.





# Promat TD Board®

## Structural Steel Fire Protection

Certifire Approval No CF 529

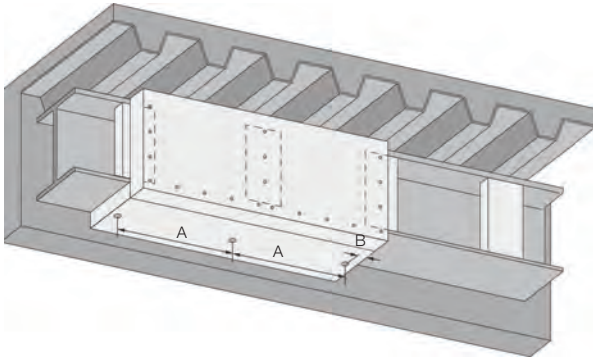


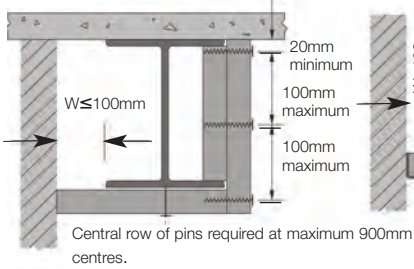
Fig 17

2-sided box using a combination of noggings and stud welded pins

### Dimensions:

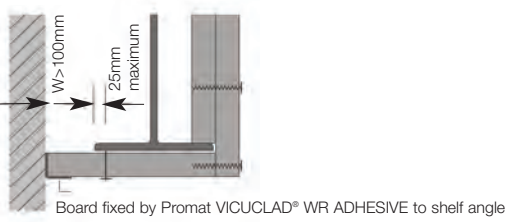
- A Welded pins at maximum 900mm centres for 2000mm board (500mm centres for 1200mm boards).
- B Welded pins at maximum 100mm (minimum 20mm) from board edge.

Fig 18



2-sided box

Fig 19



2-sided box

W limit is 100mm. Where W > 100mm a shelf angle or similar should be fixed to the wall.

## Promat TD Board®

### Structural Steel Fire Protection

Certifire Approval No CF 529

#### FIXING BOARDS TO NOGGINGS

Wherever three or four-sided protection is required, fixing to noggings is a practical option. No power supply is required.

#### FIXING BOARDS WITH STUD WELDED PINS

Situations will always occur where noggings do not afford a practical choice, e.g. for two-sided box constructions or diverse perimeter bracketing. Stud welded pins allow the installer a simple, tested alternative to noggings.

### ADHESIVE-FIX NOGGING OR STUD WELDED PIN ADHESIVE BOARD JOINT SYSTEMS

The application of Promat VICUBOND® WR ADHESIVE enhances the fire performance over the dry joint systems for the 120, 180 and 240 minutes. The adhesive joint systems are capable of providing up to 240 minutes fire protection.

#### Installation Method (Nogging Fix)

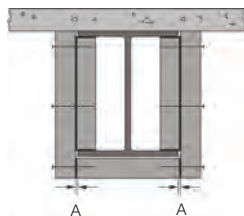
1. Cut 120mm wide noggings to suit web depth, using same thickness material as the cover protection. For web depths of 500mm and above use either solid noggings or T-noggings. For stability purposes, it is recommended that the face of the T-nogging is made from the same thickness as the cover board but the thickness of the return into the web should be at least 50mm. These are then adhered into position at 1000mm centres.
2. Apply Promat VICUBOND® WR ADHESIVE liberally to face of noggings. Quickly apply vertical boards and secure with nails long enough to pierce full thickness of noggings before Promat VICUBOND® WR ADHESIVE forms a hardened surface.
3. Apply Promat VICUBOND® WR ADHESIVE continuously and liberally to all board interfaces. Tightly butt to adjoining boards and nail through edge joints with same length nails as for noggings, at 400mm maximum centres.

#### Installation Method (Stud Welded Pin Fix)

1. Fit stud welded pins (3mm diameter) as indicated overleaf.
2. A selection of pins should be mechanically tested by bending from the vertical and returning it to the original position.
3. Sprung steel non-return washers to secure boards.
4. Apply Promat VICUBOND® WR ADHESIVE to all board-to-board joints.
5. Offer up flange boards and nail through adhered corner joints at 400mm maximum centres.
6. If using faced boards, apply foil or scrim tape over joints for uniformity of appearance.

For additional fixing details not covered, please contact Promat Technical Services Department.

Fig 20



#### 3-sided box

A Noggings to project slightly beyond flange.

Recommended minimum 50mm thickness

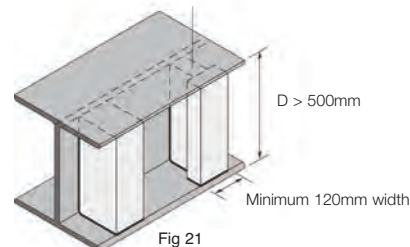


Fig 21

#### Full depth nogging or T-nogging

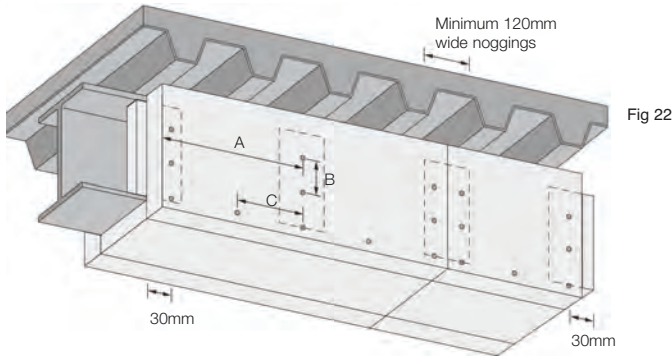
For web depths greater than 500mm, contact Promat Technical Services Department.



# Promat TD Board®

## Structural Steel Fire Protection

### Fixing Pattern

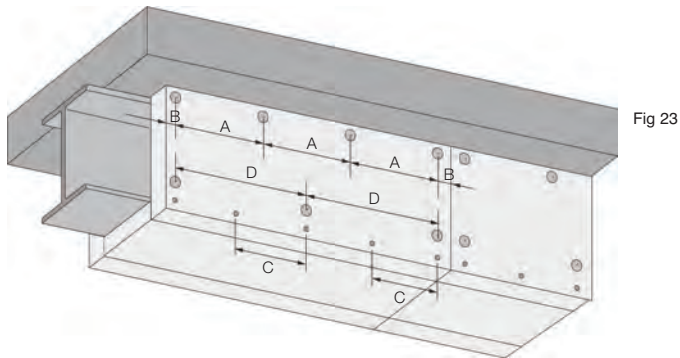


Fixing method using adhesive noggings, nails and adhesive board-to-board joints

#### Dimensions:

- A Noggings at maximum 1000mm centres.
- B Nails at maximum 150mm centres.
- C Nails at maximum 400mm centres (maximum 30mm from edge of board joint).

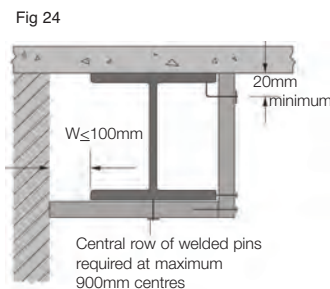
### Stud Welded Pin Fixing Arrangement



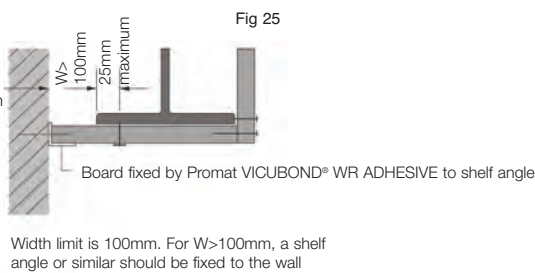
3-sided box with stud welded pins

#### Dimensions:

- A Stud welded pins at 600mm for 2000mm board (500mm for 1200mm boards).
- B Stud welded pins at maximum 100mm (minimum 20mm) from edge of board.
- C Nails at maximum 400mm centres.
- D Stud welded pins at maximum 900mm centres for 2000mm boards, 500mm centres for 1200mm boards, or bottom flange.



2-sided box



2-sided box

Width limit is 100mm. For W>100mm, a shelf angle or similar should be fixed to the wall

## Promat TD Board®

### Structural Steel Fire Protection

#### ADHESIVE-FIX SYSTEMS

##### Selecting the thickness of Promat TD Board® board for adhesive systems

###### Multi-layer applications

When a protection thickness in excess of 60mm is required, this can be achieved by applying two or more layers of Promat TD Board®. Where practical, stagger the joints between each layer.

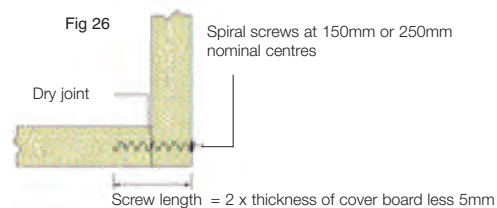
For welded pin applications, each layer should be retained using separate non-return washer, i.e. one washer per layer.

For adhesive-fix noggings applications, attach the first layer to the noggings as previously detailed, then apply a 120mm wide band of adhesive to the outside face of the first layer at locations corresponding to the noggings. Apply the outer layer of Promat TD Board®, supporting the boards until the adhesive sets by using nails of sufficient length to penetrate completely through the noggings.

#### BOARD JOINTING

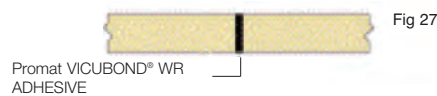
##### Butted Corner Joints

Butted corner joints are made with square edge boards using either a dry joint with spiral screws as below, or Promat VICUBOND® WR ADHESIVE and nails at 400mm centres.



##### Axial Joints

All axial joints are made with square butt edges, without nails. Promat VICUBOND® WR ADHESIVE is only required for glued board systems.



For foil faced products, joints can be finished with Class '0' foil tape.

##### Noggings

Promat TD Board® can be fixed to noggings cut from Promat TD Board® offcuts of at least the same thickness as the fascia and soffit boards. The edges of the noggings are glued where they contact the steelwork, then, once the adhesive has set firmly, the cover boards are fixed in position with either spiral screws or Promat VICUBOND® WR ADHESIVE and nails.

##### Welded Steel Pins

Boards are impaled onto stud welded pins and secured with non-return washers.



## Promat TD Board®

### Structural Steel Fire Protection

#### Joints and Adhesive

Promat VICUBOND® WR ADHESIVE is required between all board-to-board and board-to-nogging joints for adhesive systems, but only between nogging-to-steel joints for dry systems.

Applying Promat VICUBOND® WR ADHESIVE on the external face of joints is bad practice.

Whatever nogging system is employed, the adhesive between nogging and steel must be allowed to set hard before cover boards are applied to the noggings. This will normally take about 4 hours at 20°C ambient temperature.

Promat VICUBOND® WR ADHESIVE is supplied pre-mixed in 10 litre tubs.

Coverage rate will depend on the linear length of the joints, width of joint (board thickness) and joint depth. Assuming total, effective usage of the adhesive on site, the following table provides an approximate weight (kg) of adhesive per linear metre of joint, based on an adhesive depth of 1mm.

Coverage rate will depend on the linear length of the joints, width of joint (board thickness) and joint depth. Assuming total, effective usage of the adhesive on site, the following table provides an approximate weight (kg) of adhesive per linear metre of joint, based on an adhesive depth of 1mm.

Table c

Promat TD Board® Thickness (mm)	Square Butt Joint (Kg/LM joint per 1mm depth)
25	0.09
30	0.11
35	0.13
40	0.15
50	0.19
60	0.22

In practice, a degree of wastage would be expected and as such, make an allowance for this when placing an order.

Promat VICUBOND® WR ADHESIVE is an inorganic, non-toxic product with a pH of 7-9.

A safety data sheet is available from the Promat Technical Services Department and, as with any other materials, should be read before working with the board. For additional details of product properties and application please contact Promat Technical Services Department, Telephone: 01344 381400 Fax: 01344 381401 Email: technicaluk@promat.co.uk.



## Promat TD Board®

### Structural Steel Fire Protection

Certifire Approval No CF 529

#### FIRE PROTECTION THICKNESS - Promat TD Board® AV RATIO FOR BEAM CLADDINGS

1. These fixing methods are suitable for steel sections up to 1000mm deep x 419mm wide. Clip fix method may only be used up to 40mm thickness. Above this use welded pin fix only. For larger sections and when protecting more than one section in a single encasement, please consult Promat Technical Services Department.
2. Where a column box encasement abuts a beam protected with a profiled fire protection system e.g. spray, the column webs should be sealed using Promat TD Board®.
3. For beams with depths more than 500mm, T-shaped or solid soldiers should be used. T-shaped soldiers are formed from two pieces of Promat TD Board® (minimum 40mm) joined using Promat Spring Screws. Solid soldiers are 120mm wide x full depth of the flange. If more than one thickness is used, join thicknesses together using Spring Screws.

For information on the thicknesses of Promat TD Board® please contact the Promat Technical Services Department.

**Table d. Clip fixings or welded pin fixings and 'dry joints' when protecting beams supporting concrete decks.**

**Limiting steel temperature 550°C**

	Fire resistance period - minutes						Board thickness (mm)
	30	60	90	120	180	240	
Section factor AV – m <sup>-1</sup>	260	260	201	77	-	-	25
			260	100	-	-	30
				126	-	-	35
				158	-	-	40
				195	-	-	45
				240	-	-	50
				260	-	-	55
				260	-	-	60

**PLEASE NOTE:** Additional details are available for use in situations where a partition system is connected to the protected steel column or beam. Please contact the Promat UK Technical Services Department for further information.

# Promat TD Board®

## Structural Steel Fire Protection



Certifire Approval No CF 529

Table e. Clip fixings or welded pin fixings and 'dry joints' when protecting beams (in other configurations than Table d).

**Limiting steel temperature 550°C**

Section factor $AV - m^{-1}$	Fire resistance period - minutes						Board thickness (mm)
	30	60	90	120	180	240	
260	260		148	65	-	-	25
			206	84	-	-	30
			260	104	-	-	35
				128	-	-	40
				155	-	-	45
				187	-	-	50
				225	-	-	55
				260	-	-	60

Table f. Clip fixings or welded pin fixings and 'dry joints' when protecting beams (loading in accordance with BS 5950-8).

**Limiting steel temperature 620°C**

Section factor $AV - m^{-1}$	Fire resistance period - minutes						Board thickness (mm)
	30	60	90	120	180	240	
260	260	260	260	95	-	-	25
				124	-	-	30
				159	-	-	35
				200	-	-	40
				251	-	-	45
				260	-	-	50
				260	-	-	55
				260	-	-	60

## Promat TD Board®

### Structural Steel Fire Protection

Certifire Approval No CF 529

Table g. Adhesive fix noggings and 'dry joints' when protecting beams.

**Limiting steel temperature 550°C**

	Fire resistance period - minutes						Board thickness (mm)
	30	60	90	120	180	240	
Section factor $AV - m^{-1}$	260	260	146	65	-	-	25
			202	83	-	-	30
			260	103	-	-	35
				126	-	-	40
				153	-	-	45
				184	-	-	50
				221	-	-	55
				260	-	-	60

Table h. Adhesive fix noggings and 'dry joints' when protecting beams (loading in accordance with BS 5950-8).

**Limiting steel temperature 620°C**

	Fire resistance period - minutes						Board thickness (mm)
	30	60	90	120	180	240	
Section factor $AV - m^{-1}$	260	260	196	73	-	-	25
			260	93	-	-	30
				116	-	-	35
				143	-	-	40
				173	-	-	45
				209	-	-	50
				252	-	-	55
				260	-	-	60

Additional data to alternative limiting steel temperatures is also available. Contact Promat Technical Services on 01344 381 400 for further information.



# Promat TD Board®

## Structural Steel Fire Protection

Table i. Adhesive fix noggings or welded pin fixings and adhesive board joints when protecting beams.

**Beams - Critical steel temperature 550°C**

Certifire Approval No CF 529

	Fire resistance period - minutes						Board thickness (mm)
	30	60	90	120	180	240	
Section factor A/V - m <sup>-1</sup>	260	260	260	98	40	-	25
				130	50	-	30
				168	61	-	35
				216	73	43	40
				260	85	50	45
					99	57	50
					114	65	55
					131	73	60
					150	81	65
					170	90	70
					193	99	75
					219	109	80
					248	120	85
					260	131	90
						144	95
						157	100
						186	110

## Promat TD Board®

### Structural Steel Fire Protection

Certifire Approval No CF 529

Table j. Adhesive fix noggings or welded pin fixings and adhesive board joints when protecting beams.

**Beams - Critical steel temperature 620°C**

	Fire resistance period - minutes						Board thickness (mm)
	30	60	90	120	180	240	
Section factor $A/V - m^2$	260	260	260	168	52	-	25
				235	65	-	30
				260	80	45	35
					95	53	40
					113	62	45
					132	70	50
					154	80	55
					178	90	60
					206	100	65
					237	112	70
					260	124	75
						136	80
						150	85
						165	90
						181	95
						199	100
						238	110





#### HEAD OFFICE, BELGIUM

Promat International NV  
Bormstraat 24  
2830 Tiselt  
Tel: +32 15 71 81 00  
Fax: +32 15 71 81 09  
E-mail info@promat-international.com  
www.promat-international.com  
www.promat-tunnel.com  
www.promat-marine.com  
www.promat-spray.com

#### ASIA PACIFIC HEADQUARTERS

Promat International  
(Asia Pacific) Ltd.  
Unit 19-02-01, Level 2  
PNB Damansara  
No. 19 Lorong Dungun  
Damansara Heights  
50490 Kuala Lumpur  
MALAYSIA  
Tel: +60 3 2095 8555  
Fax: +60 3 2095 2111  
E-mail info@promat-ap.com  
www.promat-ap.com

#### AUSTRALIA

Promat Australia Pty Ltd.  
1 Scotland Road, Mile End  
SA 5031 ADELAIDE  
Tel: +61 8 8352 6759  
Fax: +61 8 8352 1014  
E-mail mail@promat-ap.com  
www.promat-ap.com

#### AUSTRIA

Promat Ges.m.b.H.  
Seybelgasse 13  
1230 WIEN  
Tel: +43 1 865 45 01  
Fax: +43 1 865 36 00  
E-mail office@promat.at  
www.promat.at  
Intumex GmbH  
Buchnerplatz 1  
4021 Linz  
Tel: +43 70 6912 3767  
Fax: +43 70 6912 3740  
Email: info@intumex.at  
www.intumex.at

#### BELGIUM

Promat NV  
Kuijermansstraat 1  
1880 KAPELLE-OP-DEN-BOS  
Tel: +32 15 71 33 51  
Fax: +32 15 71 82 29  
E-mail info@promat.be  
www.promat.be

#### CHINA

Promat China Ltd.  
Room 503, Block B,  
Qi Lin Plaza  
13-35 Pan Fu Road  
510180 GUANGZHOU  
Tel: +86 20 8136 1167  
Fax: +86 20 8136 1372  
E-mail info@promat.com.cn  
www.promat.com.cn

#### CZECHIA

Promat s.r.o.  
Oskalova 22/784  
160 00 PRAHA 6-BUBENEK  
Tel: +420 224 390 811  
Fax: +420 233 333 576  
E-mail promat@promatpraha.cz  
www.promatpraha.cz

Intumex s.r.o.  
U Rajské zahrady 3  
Praha 3  
130 00 Czechia  
Tel: +420 2241 06 227  
Fax: +420 2241 06 228  
E-mail: intumex@intumex.cz  
www.intumex.cz

#### FRANCE

Promat S.A.S.  
rue de l'Amandier B.P. 66  
78540 VERNOUILLET  
Tel: +33 1 39 79 61 60  
Fax: +33 1 39 71 16 60  
E-mail: info@promat.fr  
www.promat.fr

#### GERMANY

Promat GmbH  
Scheifenkamp 16  
40878 RATINGEN  
Tel: +49 21 02 49 30  
Fax: +49 21 02 49 31 11  
E-mail mail@promat.de  
www.promat.de

#### GREAT BRITAIN

Promat UK Limited  
The Sterling Centre  
Eastern Road, Bracknell  
Berkshire RG12 2TD  
Tel: +44 1344 381 300  
Fax: +44 1344 381 301  
E-mail: salesuk@promat.co.uk  
www.promat-spray.com

#### HONG KONG

Promat International  
(Asia Pacific) Ltd.  
Room 1010, C.C.Wu Building  
302-308 Hennessy Road  
WANCHAI  
Tel: +852 2836 3692  
Fax: +852 2834 4313  
E-mail apromath@promat.com.hk  
www.promat-ap.com

#### INDIA

Promat Int. (Asia Pac.) Ltd.  
India Representative Office  
610-611, Ansal Imperial Tower  
C-Block, Community Centre  
Naraina Vihar, Naraina  
110028 NEW DELHI  
Tel: +91 11 2577 8413  
Fax: +91 11 2477 8414  
E-mail info-india@promat-asia.com  
www.promat-ap.com

#### IRELAND

6 South Leinster Street,  
DUBLIN 2  
Tel: +353 1 419 0437  
Fax: +353 1 460 8802  
www.promat.ie

#### ITALY

Promat S.p.A.  
Corso Paganini 39/3  
16125 GENOVA  
Tel: +39 010 24 88 411  
Fax: +39 010 21 37 68  
E-mail info@promat.it  
www.promat.it

Comais s.r.l.  
Via Provinciale 10  
24040 Filago (BG)  
Tel: +39 035 993 737  
Fax: +39 035 99 4240  
Email: info@comais.it  
www.comais.it

#### The NETHERLANDS

Promat B.V.  
Zonnebaan 36  
3542 EE UTRECHT  
Tel: +31 30 241 0770  
Fax: +31 30 241 0771  
E-mail info@promat.nl  
www.promat.nl

#### POLAND

Promat TOP Sp. z o.o.  
Ul. Przeclawska 8  
03-893 WARSZAWA  
Tel: +48 22 212 2280  
Fax: +48 22 212 2290  
E-mail top@promatop.pl  
www.promatop.pl

#### RUSSIA

Promat GmbH  
Repräsentanz  
ul. Kantemirovskaya 58  
115477 MOSCOW  
Tel: +7 095 325 42 68  
Fax: +7 095 231 79 77  
E-mail gd@promat.ru  
www.promat.ru

#### SINGAPORE

Promat Building System Pte Ltd.  
10 Science Park Road #03-14  
The Alpha,  
Singapore Science Park II  
117684 SINGAPORE  
Tel: +65 6776 7635  
Fax: +65 6776 7624  
E-mail info@promat.com.sg  
www.promat-ap.com

#### SPAIN

Promat Ibérica S.A.  
C/ Velazquez, 41 – 2 Planta  
28001 MADRID  
Tel: +34 91 781 15 50  
Fax: +34 91 575 15 97  
E-mail info@promatiber.es  
www.promatiber.es

#### SWITZERLAND

Promat AG  
Stationsstrasse 1  
8545 RICKENBACH-SULZ  
Tel: +41 52 320 94 00  
Fax: +41 52 320 94 02  
E-mail office@promat.ch  
www.promat.ch

#### UNITED ARAB EMIRATES

Promat Middle East  
Suite 1805  
18th Floor  
Dubai Festival City Tower  
PO Box 123945  
Dubai  
UAE  
Tel: + 971 4 232 9780  
Fax: + 971 4 232 9781  
E-mail: promatmiddleeast@promat.co.uk  
www.promat-spray.com

#### VIETNAM

Promat Int. (Asia Pacific) Ltd.  
Vietnam Representative Office  
Room 606 Giay Viet Plaza  
180-182 Ly Chinh Thang Street  
Ward 9, District 3, Hochiminh City  
Tel/Fax: +84 (8) 931 5964  
E-mail: phuong@promat-asia.com  
www.promat-ap.com

**Promat**



**Promat UK Limited**

The Sterling Centre, Eastern Road, Bracknell, Berkshire RG12 2TD United Kingdom  
Telephone: +44 (0)1344 381 300 Fax: +44 (0)1344 381 301  
www.promat.co.uk